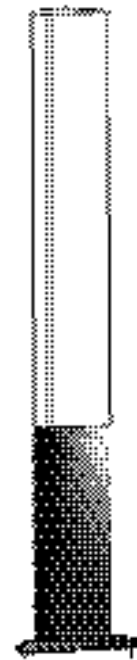




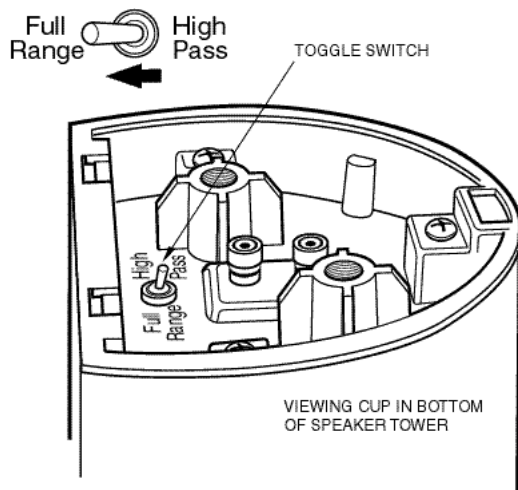
PRELUDE™ MTS-STAND

Installation Guide

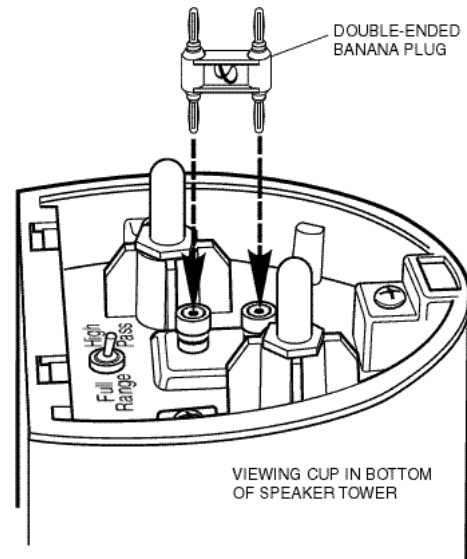
Floor Stand for Prelude MTS Tower



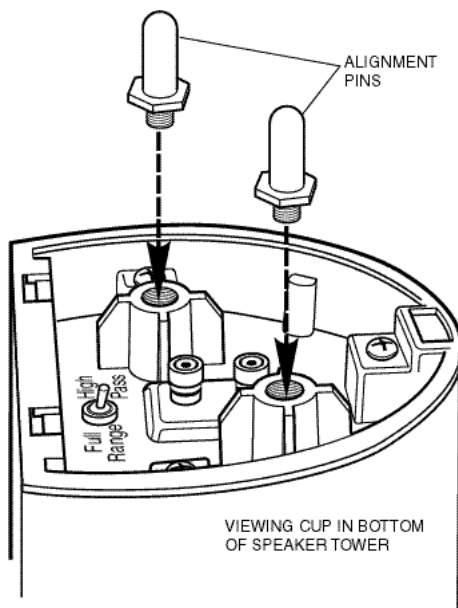
Installing the Tower onto the Floor Stand



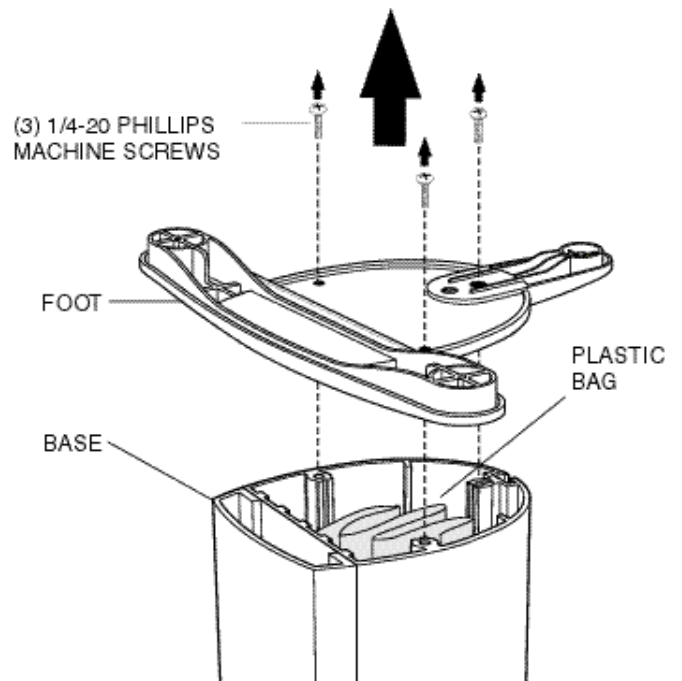
STEP 1 – When using the tower as a surround speaker, set Toggle Switch in tower cup to “Full Range.” When using as a front channel, set Toggle Switch in tower cup in bottom to the “Full Range” position. Please consult the Prelude MTS Subwoofer manual for exceptions to this setting.



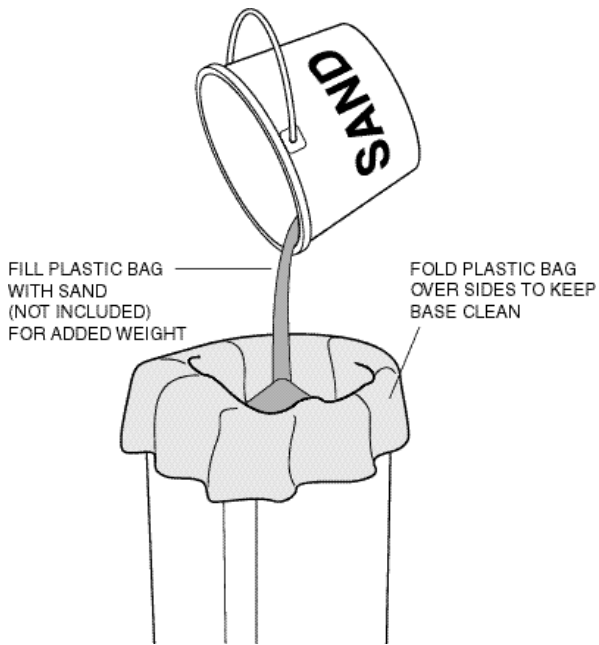
STEP 3 – Insert double-ended Audio Banana Plug into tower as shown.



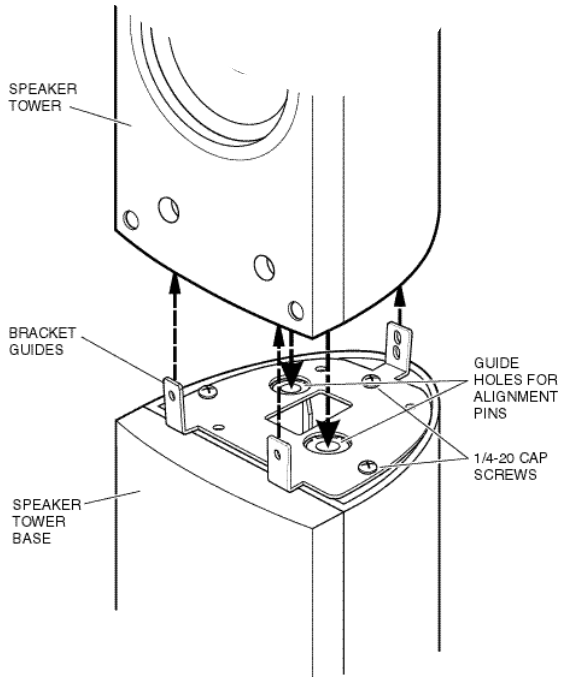
STEP 2 – Screw alignment pins into cup in bottom of tower. Use two per tower. Screw threaded ends into holes and tighten until snug. DO NOT overtighten.



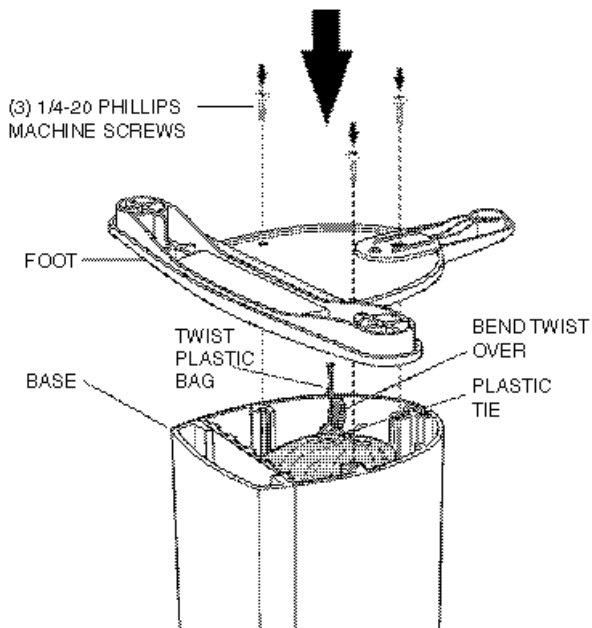
STEP 4 – To add greater stability to the tower stand, add sand (not included) in the plastic bag provided in the tower base. Turn the base upside-down and remove the (3) 1/4-20 Phillips screws holding the foot onto the base.



STEP 5 – Remove one foam pad, pull out the plastic bag and open it. Place it back into the opening of the base, taking care to fold it over the sides so as to keep sand from falling into the base. Fill the plastic bag with sand.

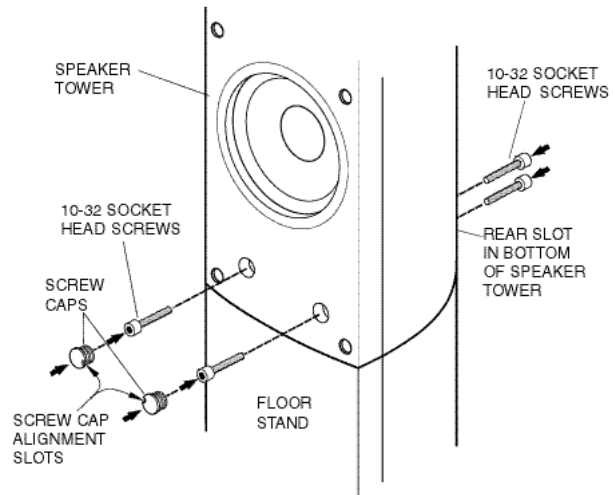


STEP 7 – Turn stand over and slowly lower the tower assembly onto the stand, being careful to insert the alignment pins into their receptacle guide holes.

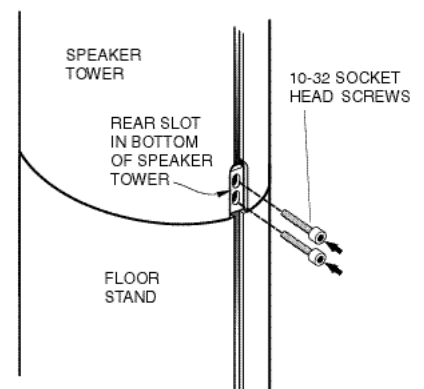


STEP 6 – Seal the plastic bag, making sure to tuck it back inside the base and place the previously removed foam pad on top of the sealed bag. Replace the foot with the same 1/4-20 Phillips screws.

FRONT VIEW



REAR VIEW



STEP 8 – Fasten the four 10-32 Socket Head Screws through the tower base as shown; two through the front baffle and two in the rear slot. Press flush into place two screw caps to hide holes in front-baffle base. Make sure that the alignment slots point toward the center to ensure that the surface curve matches that of the baffle.

